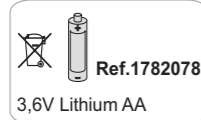
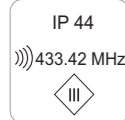
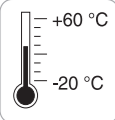


5062507B



EN OSE transmitter for optical safety edge Installation instructions

HOME MOTION BY
somfy.

Failure to follow these instructions absolves SOMFY of all responsibility and voids the warranty. SOMFY cannot be held responsible for any changes in norms and standards that come into effect after the publication of this guide. Somfy hereby declares that this product conforms to the essential requirements and other relevant provisions of Directive 1999/5/CE. A Declaration of Conformity is available at www.somfy.com/ce (OSE Transmitter). Usable in EU, CH and NO.

EN

fig. A - Types of installation

⚠ The lip of the safety edge rubber must be located on the outside of the door.

fig. B - Mounting and connection

⚠ The safety edge transmitter must always be installed inside the garage on the right-hand side of the last slat.

- The transmitter may take around 30 seconds to initialise - no action is possible during this time.
- Press firmly on the wiring end piece to ensure the wires are correctly connected.

fig. C - Calibration

fig. D - Configuration

SW3 - Dipswitch 3: Motor and type of slats

Motor speed	End slat height	Dipswitch 3
17 rpm	77 mm	OFF
12 rpm	77 mm	ON
17 or 12 rpm	55 mm	ON

Note: dipswitches 1, 2 and 4 set to OFF

fig. E - Memorising the transmitter in the Rollixo receiver

Recycling

Do not throw out your device or spent batteries with domestic waste. It is your responsibility to dispose of your electronic equipment in the relevant recycling points.

Somfy SAS, capital 20.000.000 Euros, RCS Annecy 303.970.230 - 09/2012

fig. A

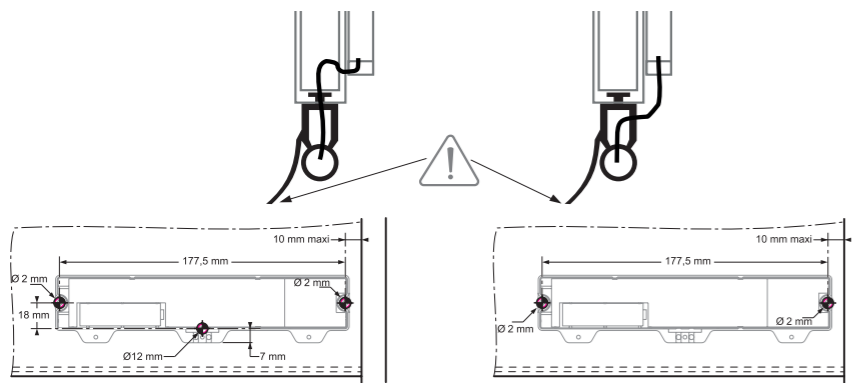


fig. B

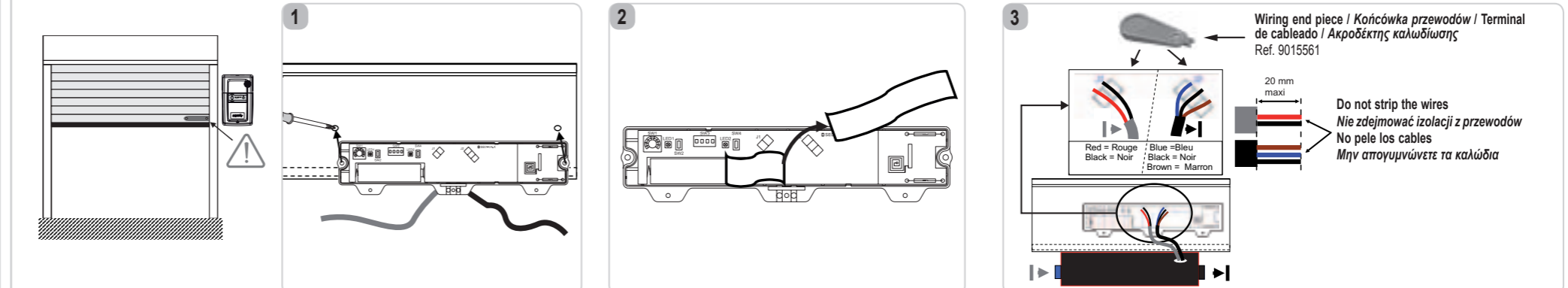


fig. C

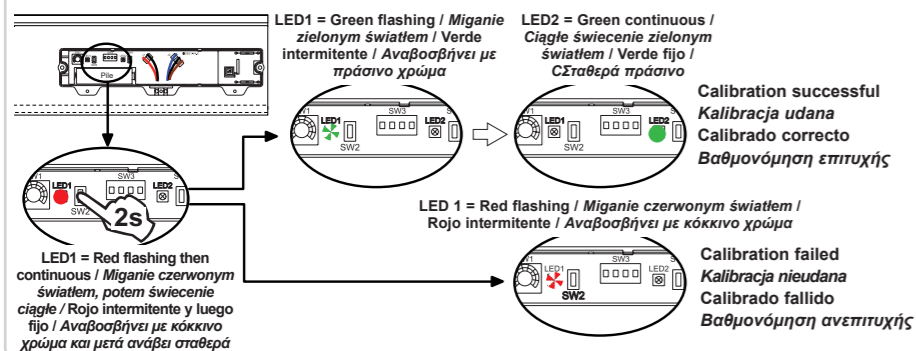


fig. D

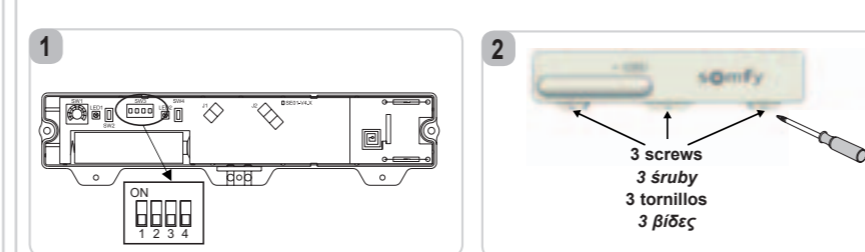


fig. E

